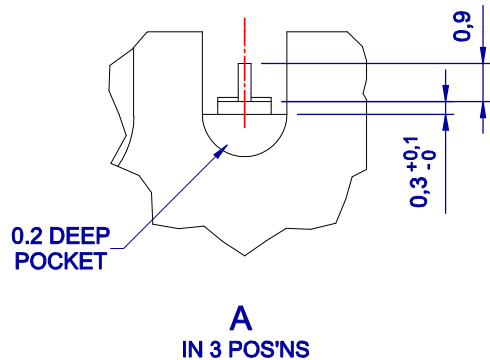
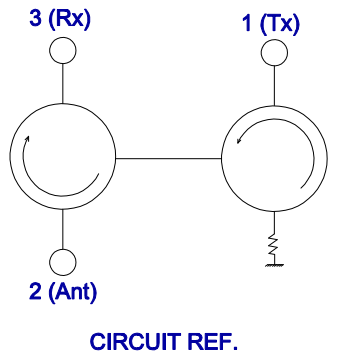
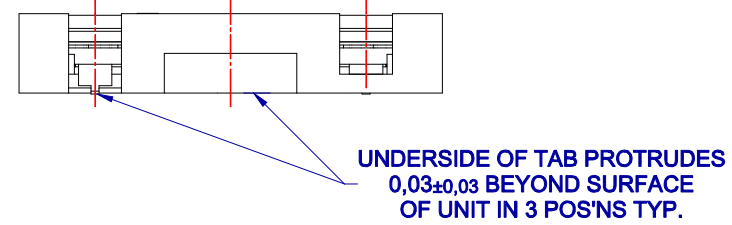
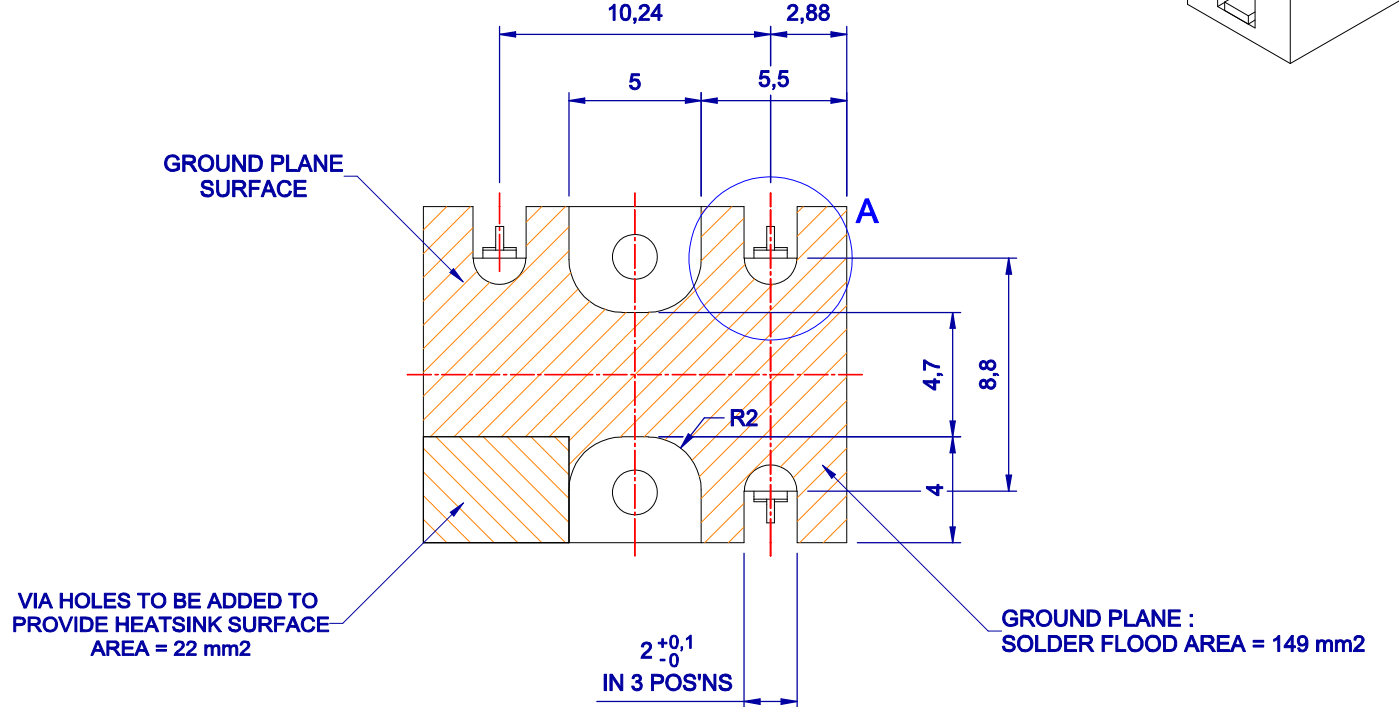
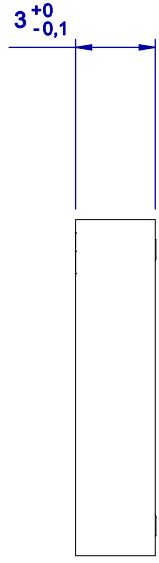
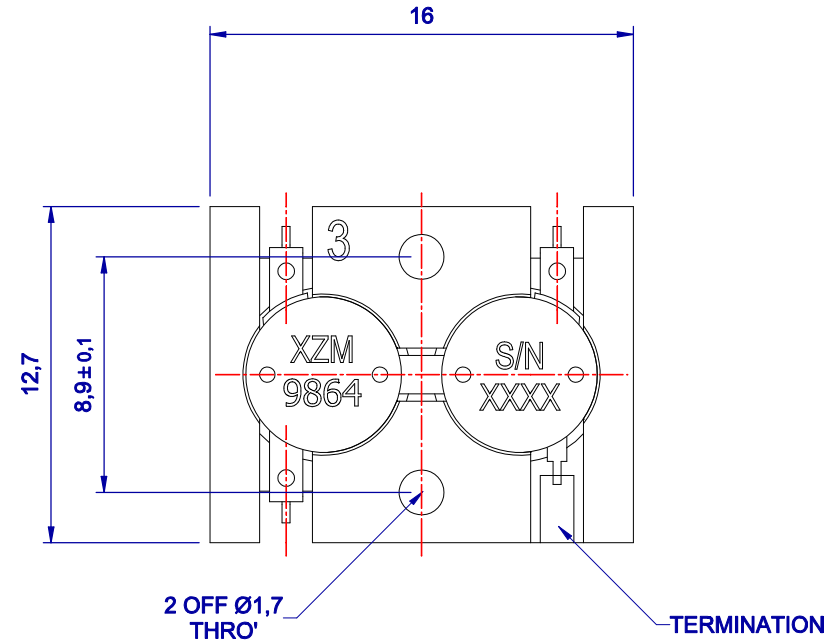
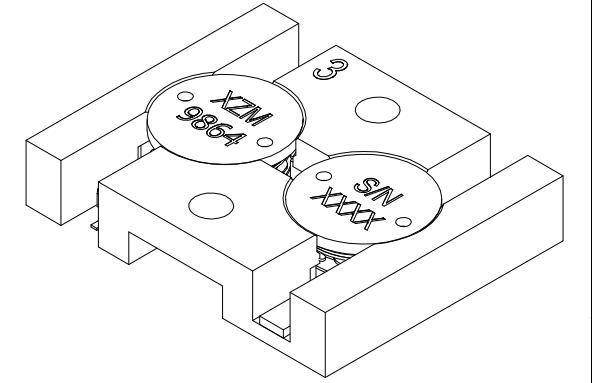


SERVICE DRAWING NUMBER
SECURITY CLASSIFICATION

3rd ANGLE PROJECTION
DRAWING TO BE READ IN CONJUNCTION WITH BS 8888

THIS DRAWING IS MESL Microwave Ltd PROPERTY. IT MAY NOT BE COPIED OR EXHIBITED WITHOUT WRITTEN PERMISSION.

MESL Microwave Ltd



Q.A.
DATE
PROD.REL.
DATE
ENG.APP.
J.G.
DATE
07/11/2007
MECH. ENG
DATE
DRAWN
S.W.
DATE
16.10.06

1	07.11.07	GREEN
G	23.10.07	DRN 9864

LIGHTLY REMOVE ALL BURRS AND SHARP EDGES U.O.S.

ORIGINAL SCALE 5:1 DO NOT SCALE PRINT DIMENSION IN mm	MATERIAL BRIGHT MILD STEEL	SPECIFICATION BS 970 230M07
CERTIFIED AT ISSUE	FINISH SILVER PLATED	SPECIFICATION MIL-QQ-S-365

REF	DESCRIPTION	No OFF	CHAR.	POS.TOL.	ISSUE	DATE	MOD NUMBER
GREEN (Fully Released)							
GENERAL TOLERANCE UNLESS OTHERWISE STATED ISO 2768-FH Symmetry ± 0,05		CONTRACTOR MESL Microwave Ltd		SECURITY CLASSIFICATION			
FINISH TO BE 1.6		RESPONSIBLE AUTHORITY J. Gillies		CONTRACTORS DRAWING NUMBER 9864-000-OL			
UNLESS OTHERWISE STATED		TITLE 'X' BAND DOUBLE JUNCTION TYPE XZM 9864		SERVICE DRAWING NUMBER		SHEET No 1 OFF 1	