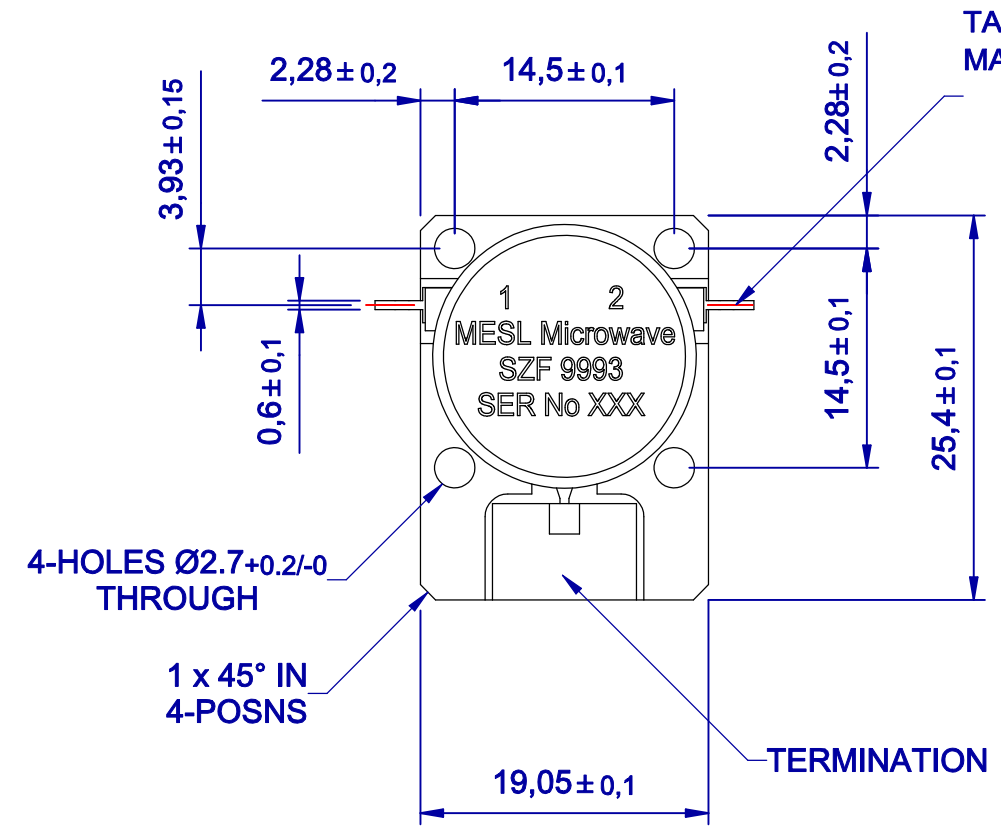
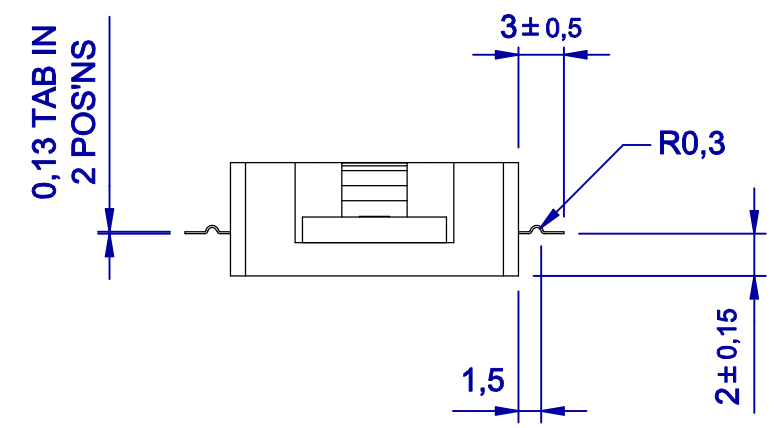
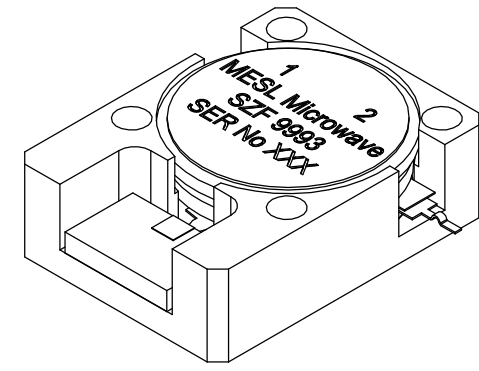
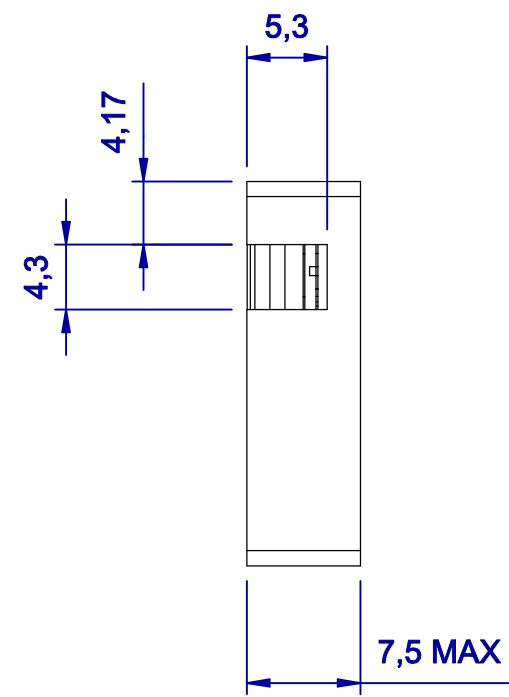


NOTES :
1. THIS UNIT IS ROHS COMPLIANT BY DESIGN.



TABS:
MAT'L : BERYLLIUM COPPER
SILVER PLATED 2/4um.
THK TO MIL-QQ-S-365D
TYPE 1 GRADE B.



ELECTRICAL SPECIFICATIONS:

FREQUENCY RANGE: 2500-2700 MHz.
 RETURN LOSS: 20dB MIN ON FULL TEMP. RANGE.
 ISOLATION: 23dB @ ROOM TEMP. / 20dB ON FULL TEMP. RANGE.
 INSERTION LOSS: 0.3dB MAX ON ROOM TEMP.
 0.4 dB MAX ON FULL TEMP. RANGE
 OPERATING TEMP. RANGE: -10°C to +85°C
 STORAGE TEMP. RANGE: -40°C to +85°C
 POWER (FORWARD - CW): 100 W.
 (FORWARD- PEAK): 800 W.
 (REVERSE-CW): 100 W. 1 min. MAX. WITH BASE PLATE TEMP OF +85°C
 INTERMODULATION : FOR TWO CW SIGNALS 34 dBm EACH, SPACED 1 MHz,
 REQUIREMENT THE INTERMODULATION PRODUCTS SHALL NOT
 EXCEED - 65dBc.

Q.A.
DATE
PROD.REL.
DATE
ENG.APP.
DATE
MECH. ENG.
DATE
DRAWN
TOM
DATE
27.07.07

LIGHTLY REMOVE ALL BURRS AND SHARP EDGES U.O.S.

ORIGINAL SCALE	2/1	MATERIAL	SPECIFICATION
DO NOT SCALE PRINT			
DIMENSION IN	mm	FINISH	SPECIFICATION
CERTIFIED AT ISSUE		BODY : BRIGHT NICKEL PLATED.	

REF	DESCRIPTION	No OFF	CHAR.	POS.TOL.	ISSUE	DATE	MOD NUMBER
RED (Development Only)							A 3
GENERAL TOLERANCE UNLESS OTHERWISE STATED		CONTRACTOR		SECURITY CLASSIFICATION			
ISO 2768-fH Symmetry ± 0,05		MESL Microwave Ltd					
FINISH TO BE		RESPONSIBLE AUTHORITY		CONTRACTORS DRAWING NUMBER			
1.6		OUTLINE FOR 2500-2700 MHz PACK DROP-IN ISOLATOR TYPE No SZF 9993		9993-000-OL			
UNLESS OTHERWISE STATED		TITLE		SERVICE DRAWING NUMBER		SHEET	
						No 1 OFF 1	

D	02.05.08	DRN 9993
---	----------	----------